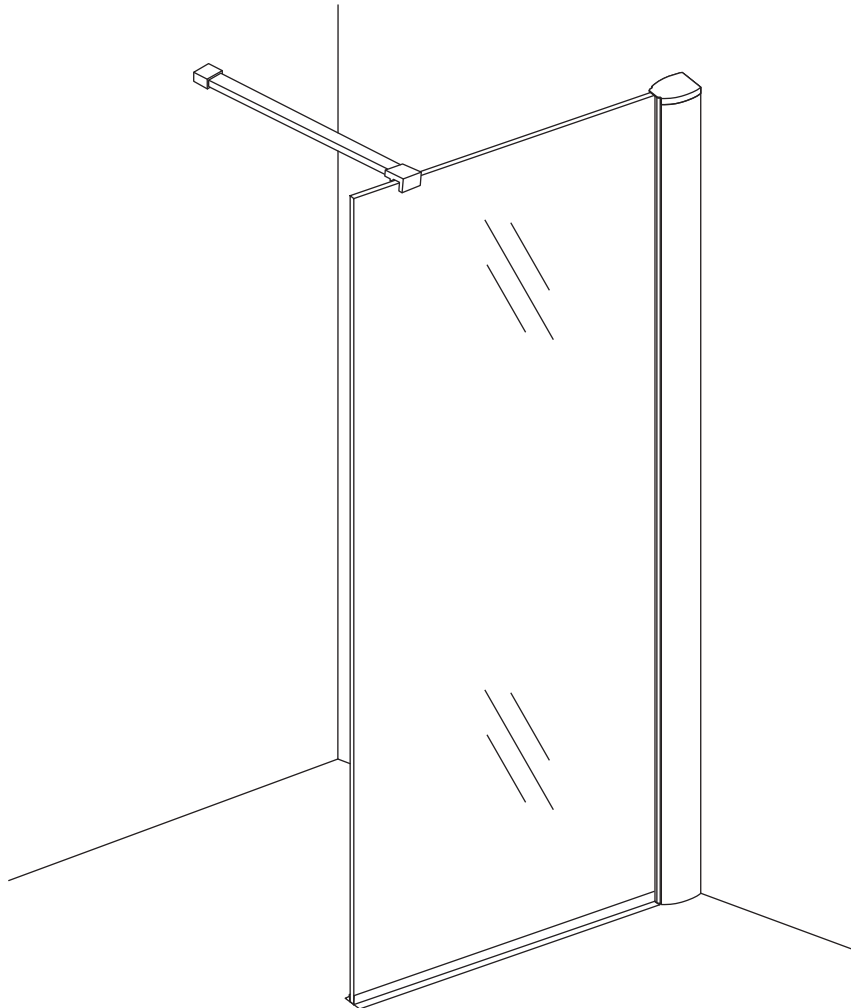


INSTALLATION MANUAL



ECOF/ECOG/ECOM/ECO

785-800x2000mm

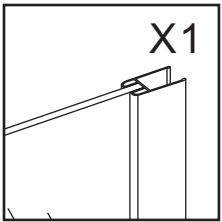
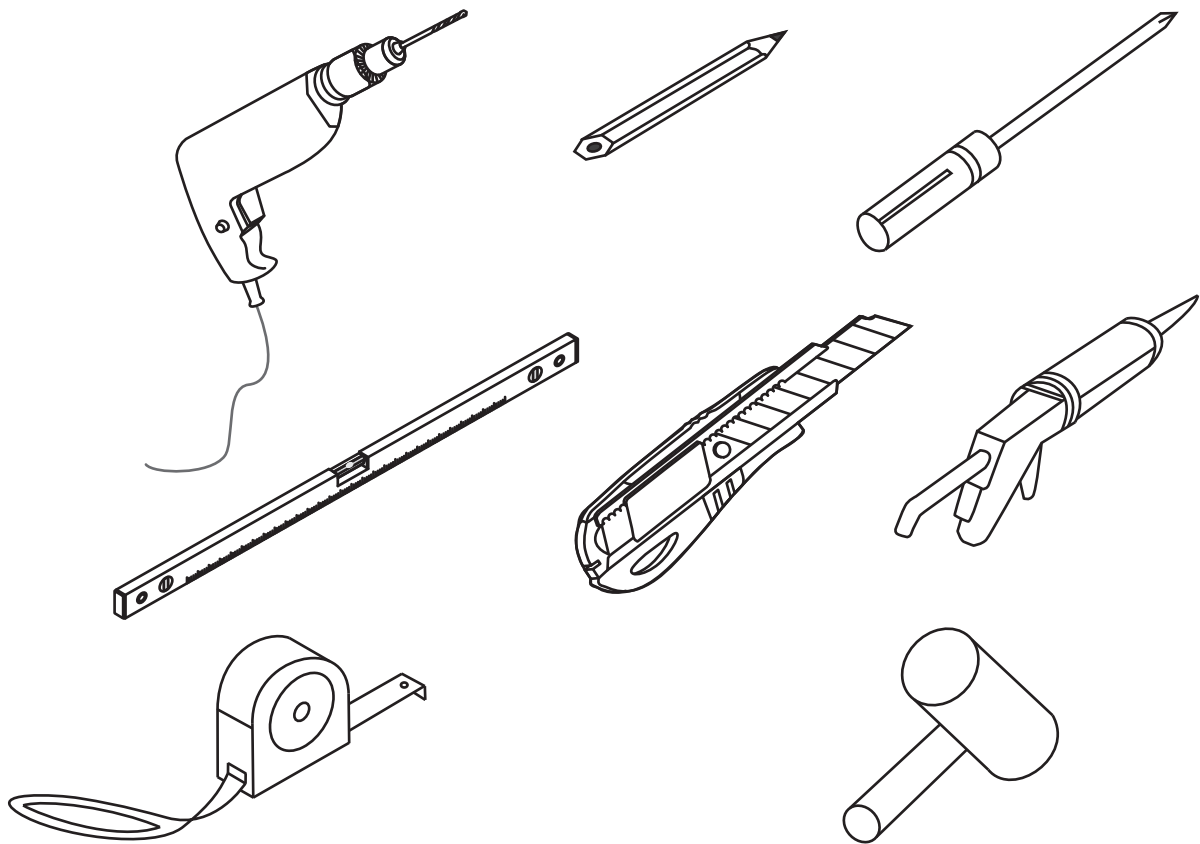
885-900x2000mm

985-1000x2000mm

1185-1200x2000mm

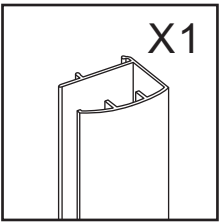
1385-1400x2000mm

RoHS  ISO9001:2008



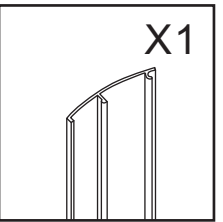
X1

GLASS



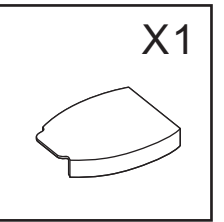
X1

KQ-22



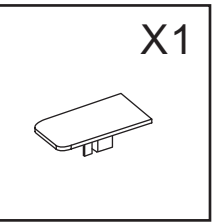
X1

BB-09



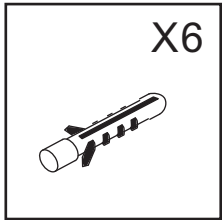
X1

PJ-4679



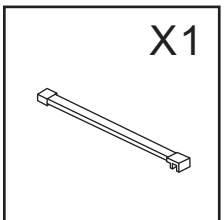
X1

PJ-4677



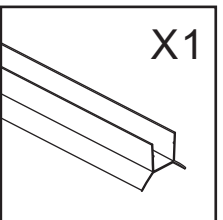
X6

PJ-4606



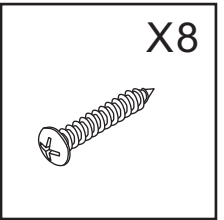
X1

10X30
support bar

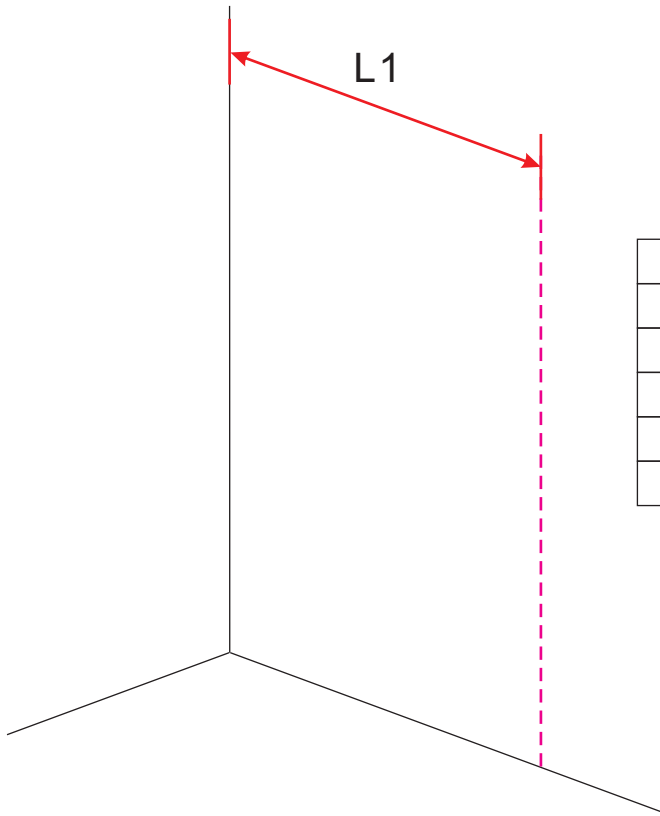


X1

CT-6



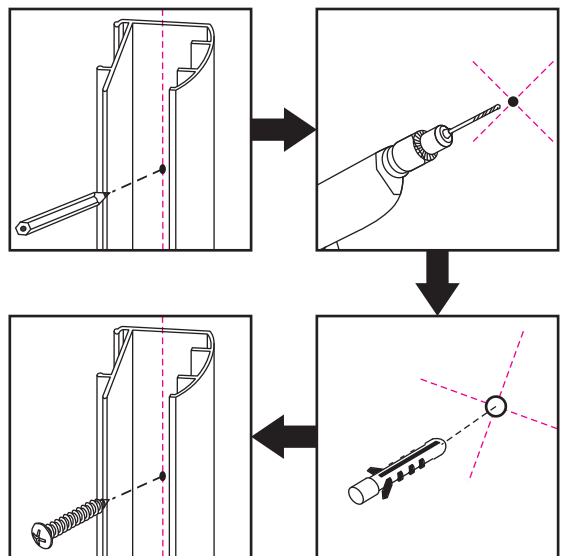
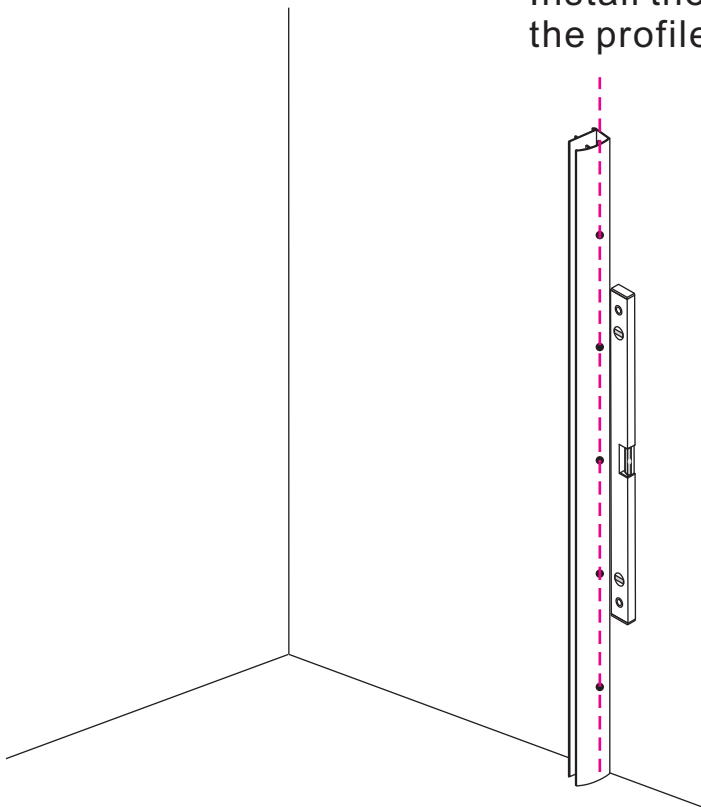
X8



SIZE	L1
785-800x2000	1020
885-900x2000	1020
985-1000x2000	1020
1185-1200x2000	1020
1385-1400x2000	1020

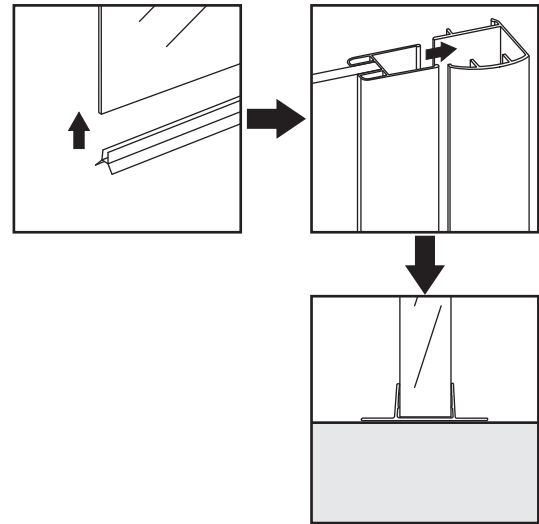
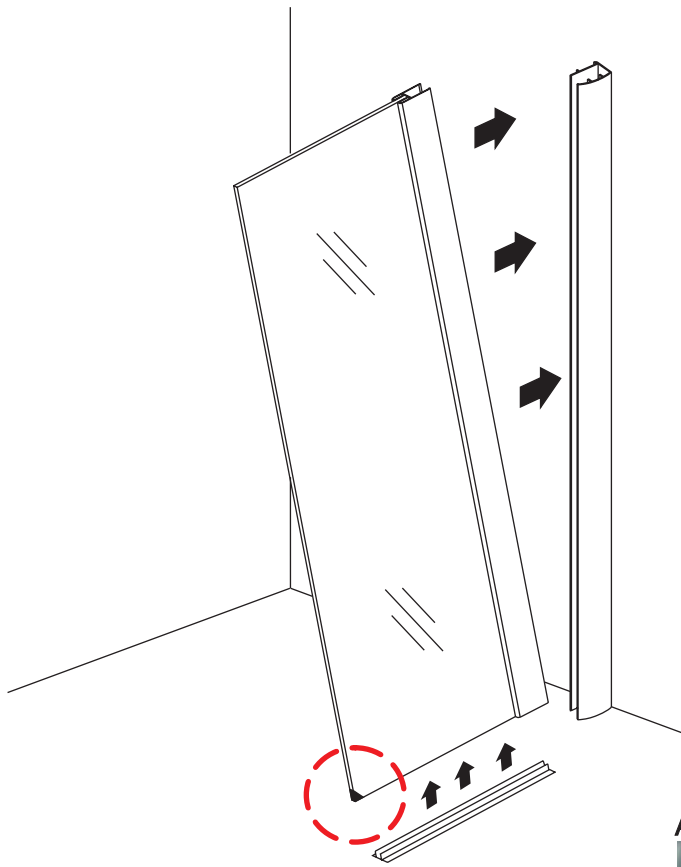
1

Install the wall profile: according the line to install the profile notice: put the profile in middle of line.



2

Install the fixed glass: insert the fixed glass into wall profile.

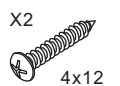
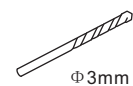
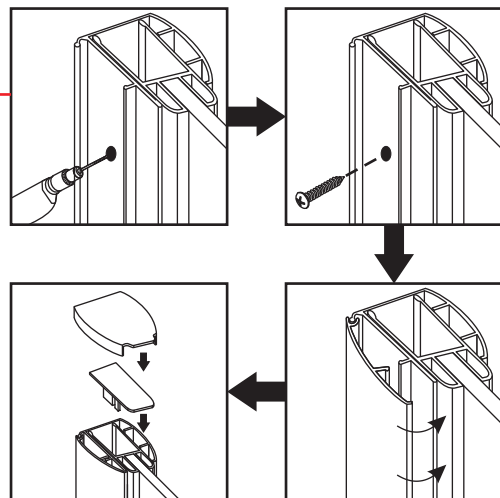
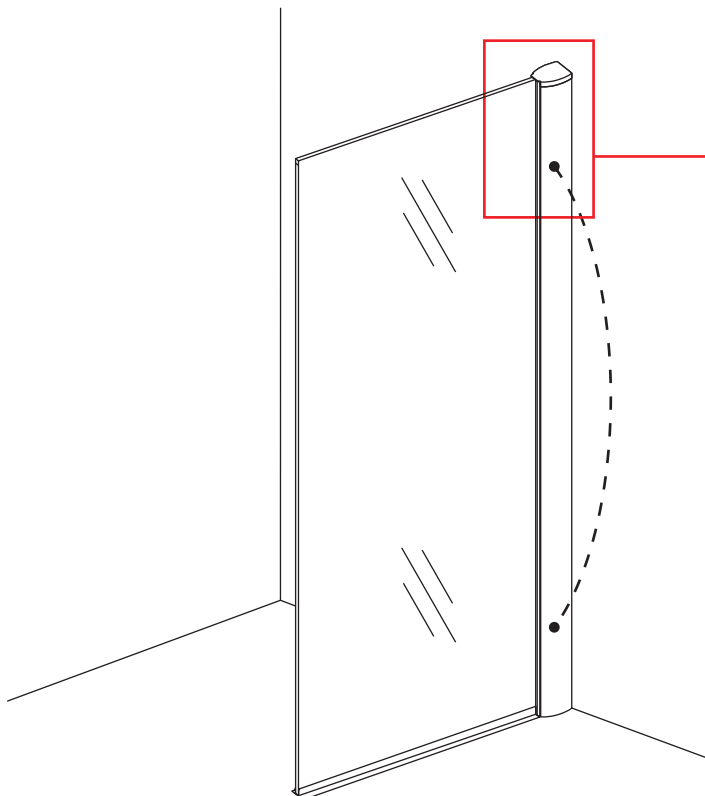


Attention: Do not remove the Black corner protector until insert well the glass into the wall profiles and fit well to prevent glass broken and splitted.



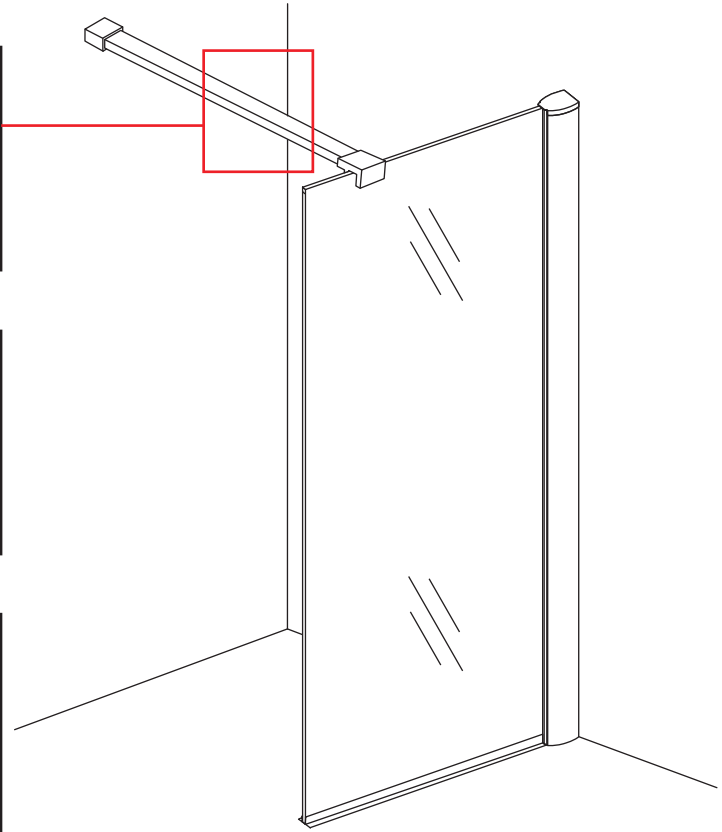
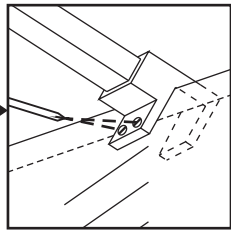
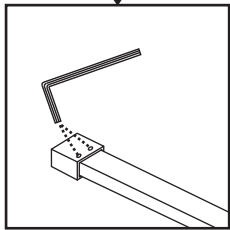
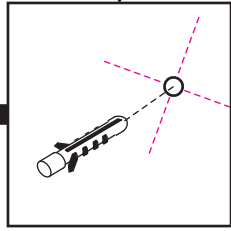
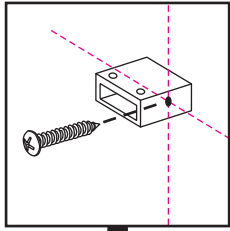
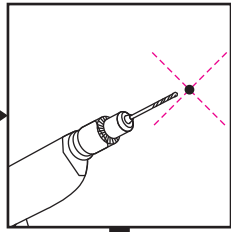
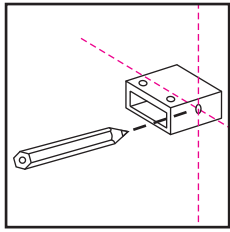
3

Install the decorate profile: install the connect buckle, insert the decorate profile into buckle as picture shows, then install the top decorate cap.



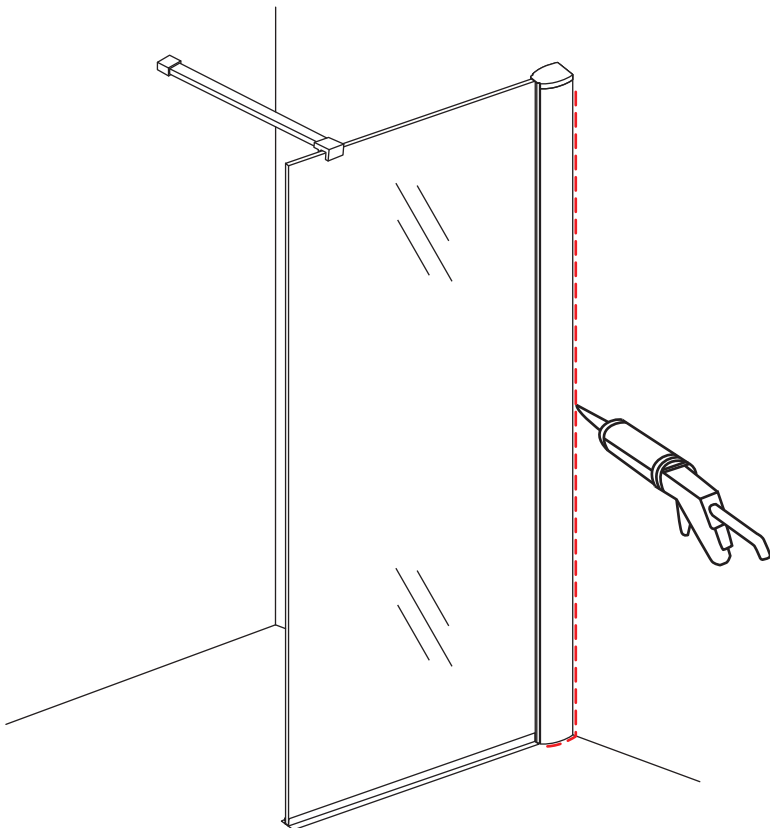
4

Install the support bar : keep the bar and top of glass on level, draw line then install it.



5

Take glue: please keep dry until 24 hour.



6