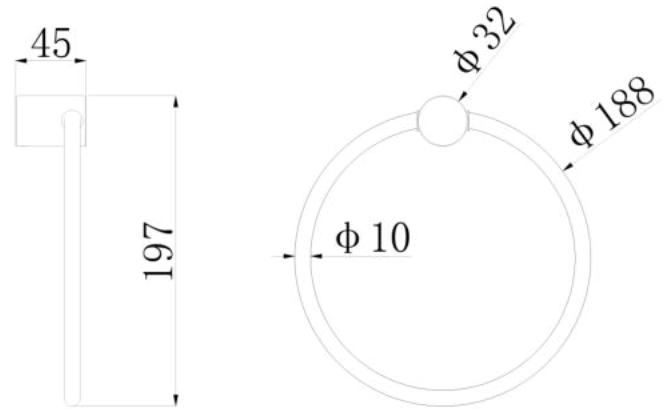
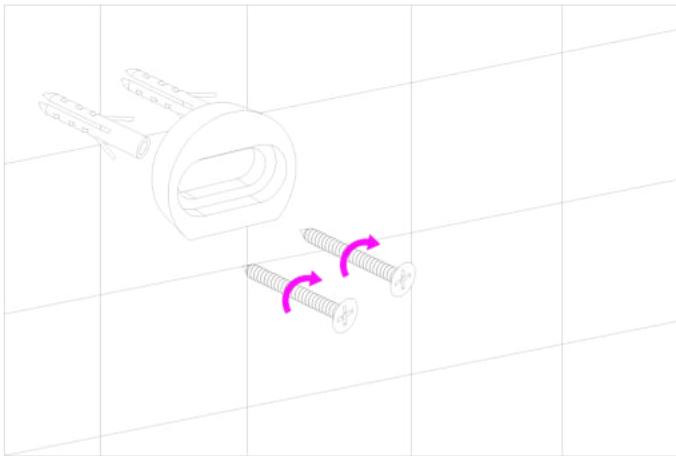


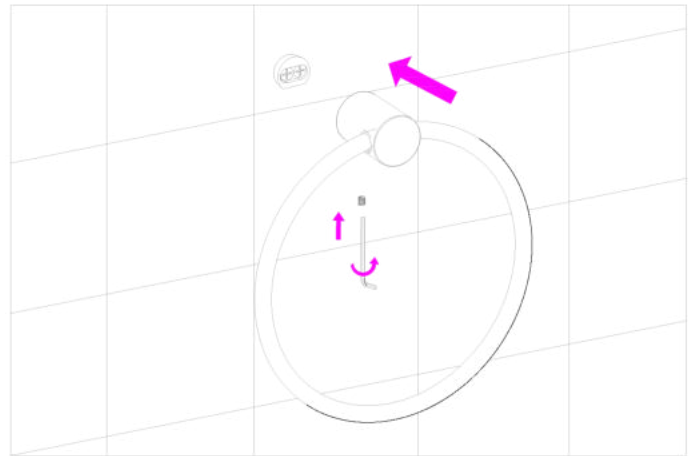
1



2



1. Fix the base to the wall with a self-tapping screw.



2. Install the hanger rod at the base of the wall and then lock the screws with the hexagon key.

Maintenance

(1) To keep the surface of the faucet bright and clean, please clean the faucet regularly.

1. Clean with water frequently with Soft cotton cloth, colorless glass cleaner, do not have grind action.

2. Do not use acidic detergents, which can erode surface coatings.

3. Do not use cleaning powder or polishing powder containing coarse particles of detergent or nylon brush, in order to avoid wearing out products.