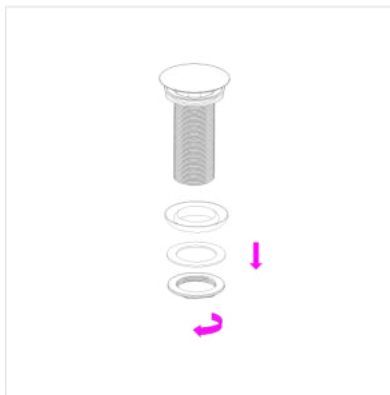


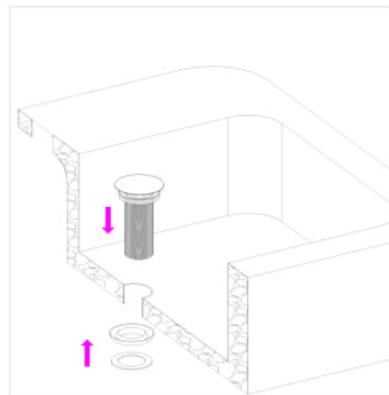
Installation Steps

1



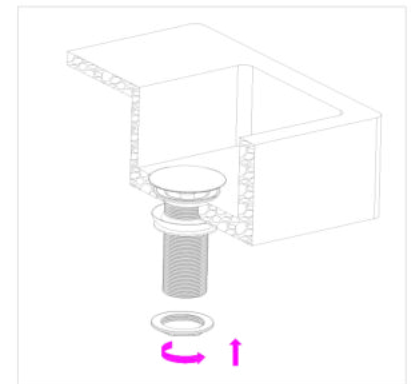
1. Disassemble the gasket and nut of the drainer according to the figure.

2



2. Put the main body down from the basin, and install the gasket from the basin to the main body

3



3. Lock the nut under the body

Maintenance

(1) To keep the surface of the faucet bright and clean, please clean the faucet regularly.

1. Clean with water frequently with Soft cotton cloth, colorless glass cleaner, do not have grind action.

2. Do not use acidic detergents, which can erode surface coatings.

3. Do not use cleaning powder or polishing powder containing coarse particles of detergent or nylon brush, in order to avoid wearing out products.