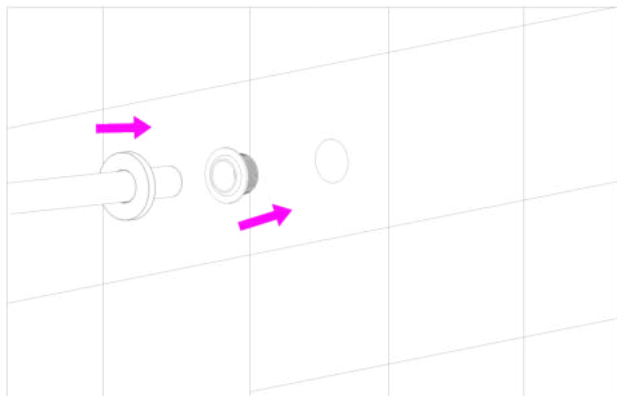
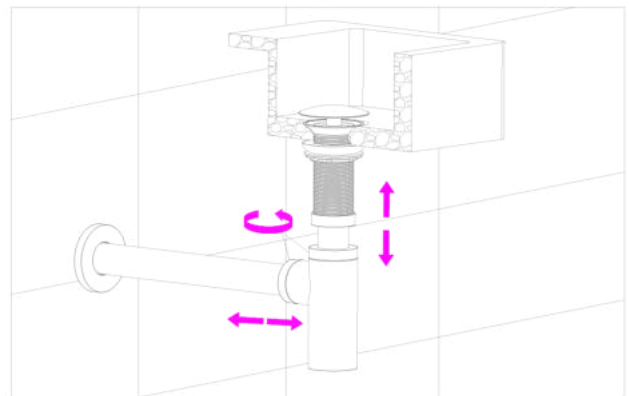


1

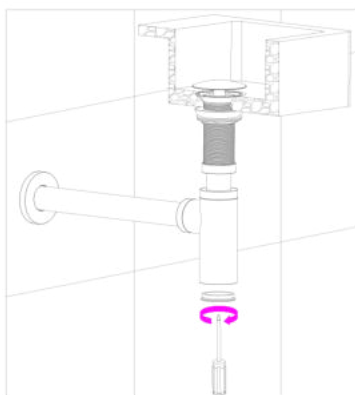


1. Put the plastic plug into the wall, then put the straight pipe into the plastic plug, push the rosette to the wall.

2



2. Both fixed cover for sifon, Adjust the length according to the distance of the table, then connect the screw teeth of the table, and then fix the two fixed covers tightly after installation.



If clean the push up waste, open the bottom cover of the waste with a screwdriver.

Maintenance

(1) To keep the surface of the faucet bright and clean, please clean the faucet regularly.

1. Clean with water frequently with Soft cotton cloth, colorless glass cleaner, do not have grind action.
2. Do not use acidic detergents, which can erode surface coatings.
3. Do not use cleaning powder or polishing powder containing coarse particles of detergent or nylon brush, in order to avoid wearing out products.