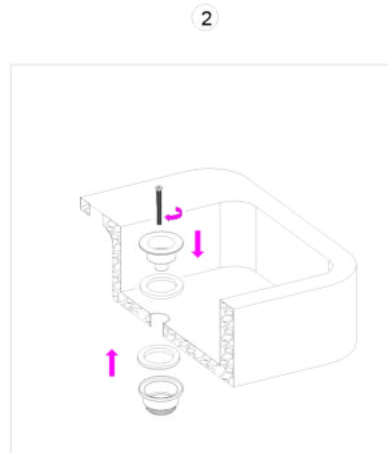


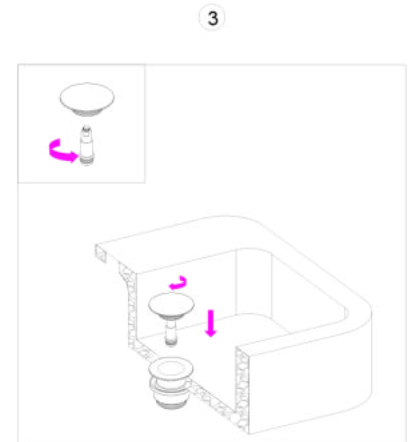
Installation Steps



1. Disassemble all parts of the drainer according to the figure.



2. Use the screw of drainer to connect the parts according to the figure.



3. Connect the decorative cover of the drainer to the main body of the drainer according to the picture.

Maintenance

(1) To keep the surface of the faucet bright and clean, please clean the faucet regularly.

1. Clean with water frequently with Soft cotton cloth, colorless glass cleaner, do not have grind action.

2. Do not use acidic detergents, which can erode surface coatings.

3. Do not use cleaning powder or polishing powder containing coarse particles of detergent or nylon brush, in order to avoid wearing out products.