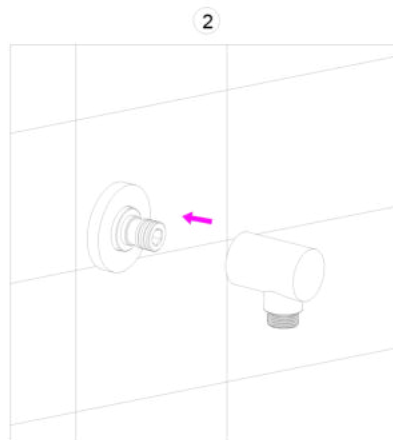
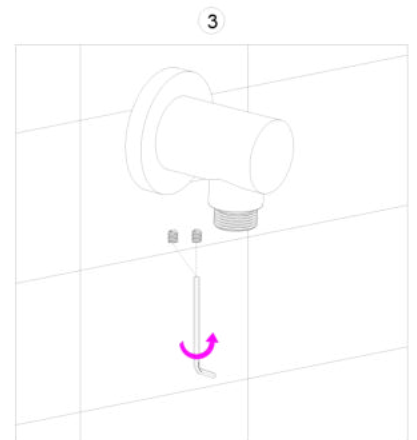


1. Wrap the white tape around the connecting rod screw, and then use the allen key to fix the connecting rod to the wall. Pay attention to install the rosette first.



2. Install the main body to the installed connector.



3. Fix the main body with screws at the bottom.

Maintenance

(1) To keep the surface of the holder bright and clean, please clean regularly.

1. Clean with water frequently with Soft cotton cloth, colorless glass cleaner, do not have grind action.

2. Do not use acidic detergents, which can erode surface coatings.

3. Do not use cleaning powder or polishing powder containing coarse particles of detergent or nylon brush, in order to avoid wearing out products.