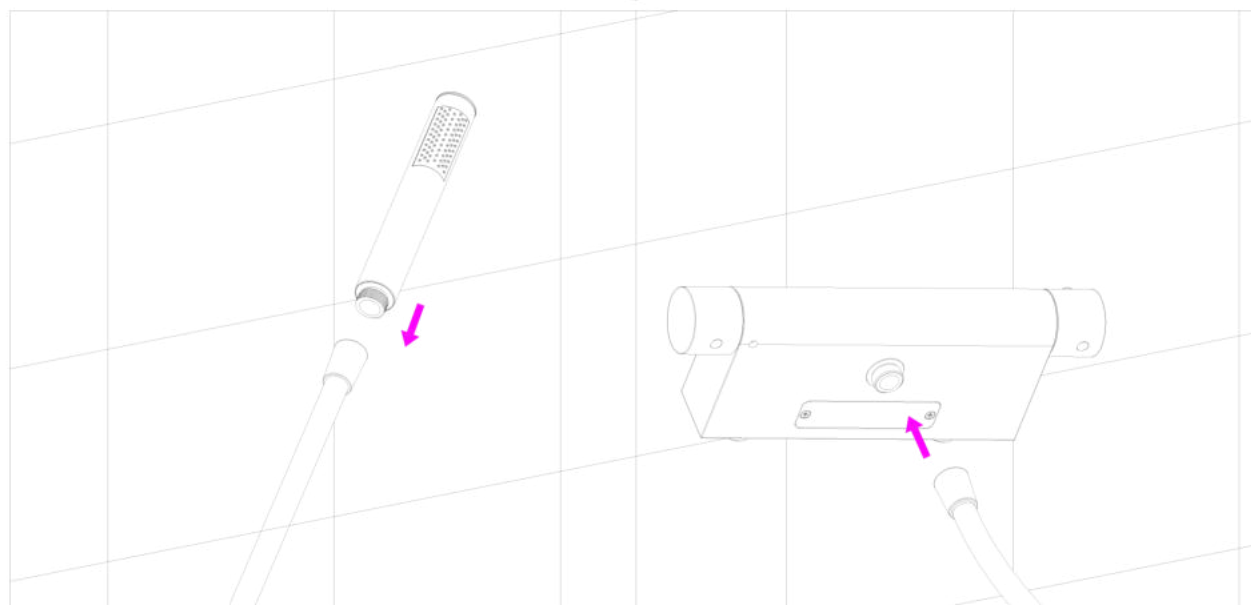


1



1. Connect one end of the hose to the hand shower and the other end to the water outlet of the faucet

Maintenance

(1) To keep the surface of the hose bright and clean, please clean regularly.

1. Clean with water frequently with Soft cotton cloth, colorless glass cleaner, do not have grind action.
2. Do not use acidic detergents, which can erode surface coatings.
3. Do not use cleaning powder or polishing powder containing coarse particles of detergent or nylon brush, in order to avoid wearing out products.