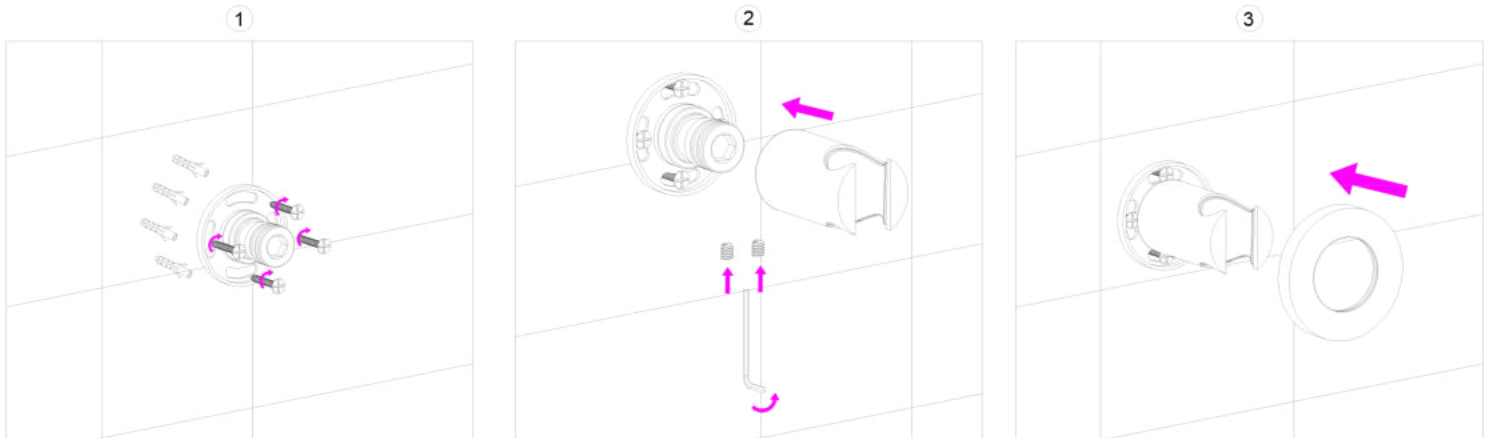


Installation Steps



1. Fix the base to the wall with a self-tapping screw.

2. Install the socket into the connecting rod and secure it with the hex key twist screw.

3. Install the rosette into the socket.

Maintenance

(1) To keep the surface of the holder bright and clean, please clean regularly.

1. Clean with water frequently with Soft cotton cloth, colorless glass cleaner, do not have grind action.

2. Do not use acidic detergents, which can erode surface coatings.

3. Do not use cleaning powder or polishing powder containing coarse particles of detergent or nylon brush, in order to avoid wearing out products.