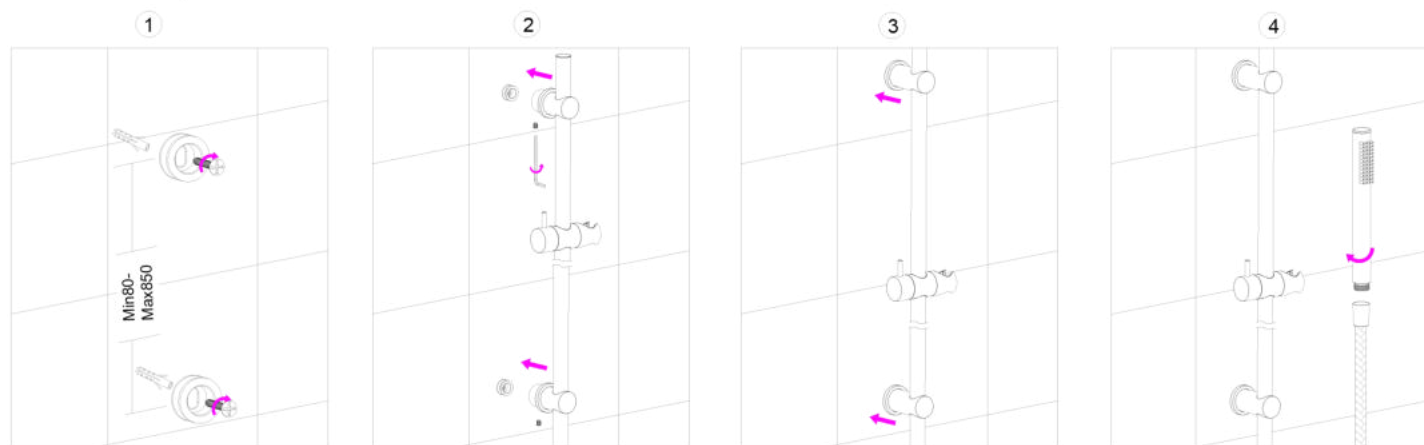


Installation Steps

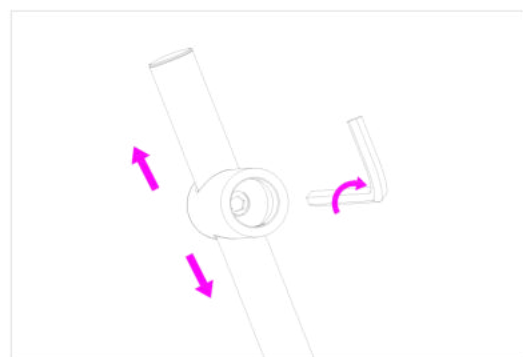


1. Fix the upper and lower bases with tapping screws and keep them vertical.

2. Align the two lifting fixing seats with the base and fix them with the hexagon key.

3. Attached the rosette to the wall closely.

4. Installed the handshower and hose.



Tip: After loosening the screws from behind the base, adjust the base position up and down.

Maintenance

(1) To keep the surface of the faucet bright and clean, please clean the faucet regularly.

1. Clean with water frequently with Soft cotton cloth, colorless glass cleaner, do not have grind action.
2. Do not use acidic detergents, which can erode surface coatings.
3. Do not use cleaning powder or polishing powder containing coarse particles of detergent or nylon brush, in order to avoid wearing out products.