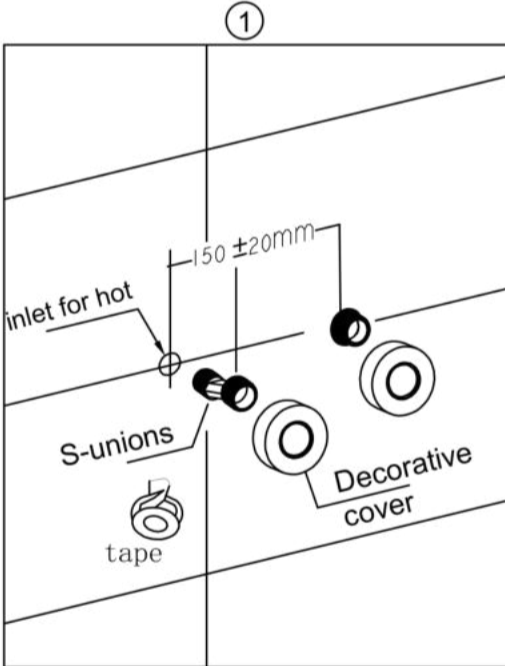
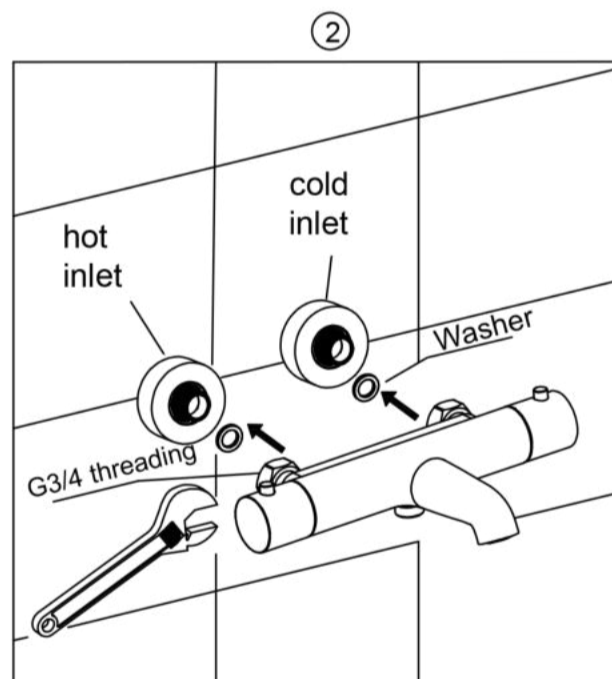


Installation Steps

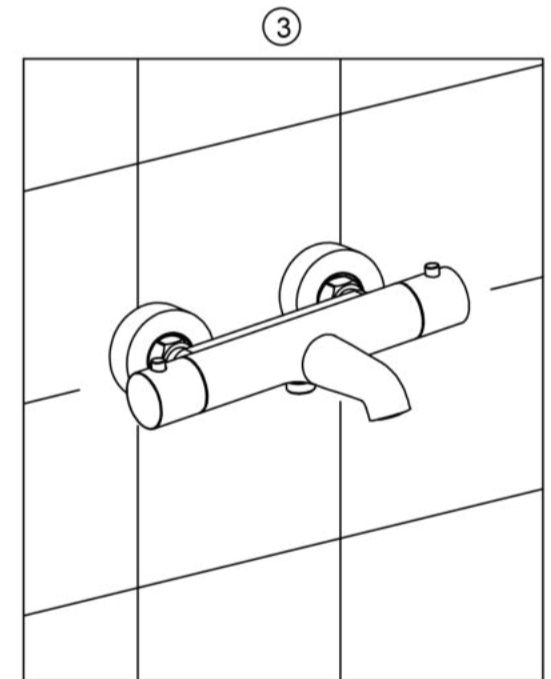


1.1) Ensure the cold/hot hose location. Wrap the curved leg with Teflon tape, install it in the inlet pipe, and then screw down the decorative cover.

1.2) Fixed pipe cover with fixed seat spacing(keep both up and down vertical and horizontal to the wall).



2. Put the washer into the nut and tighten the nut with a wrench.



3. Install all parts according to the picture. After installation, Testing whether each connection is leaking or not.

Maintenance

- (1) To keep the surface of the faucet bright and clean, please clean the faucet regularly
- 1. Clean with water frequently with Soft cotton cloth, colorless glass cleaner, do not have grind action.
- 2. Do not use acidic detergents, which can erode surface coatings.
- 3. Do not use cleaning powder or polishing powder containing coarse particles of detergent or nylon brush, in order to avoid wearing out products.
- 4. Under normal water pressure, When the water yield is reduced, Please clean the inlet and outlet water with a small brush after soaking with vinegar as shown.

