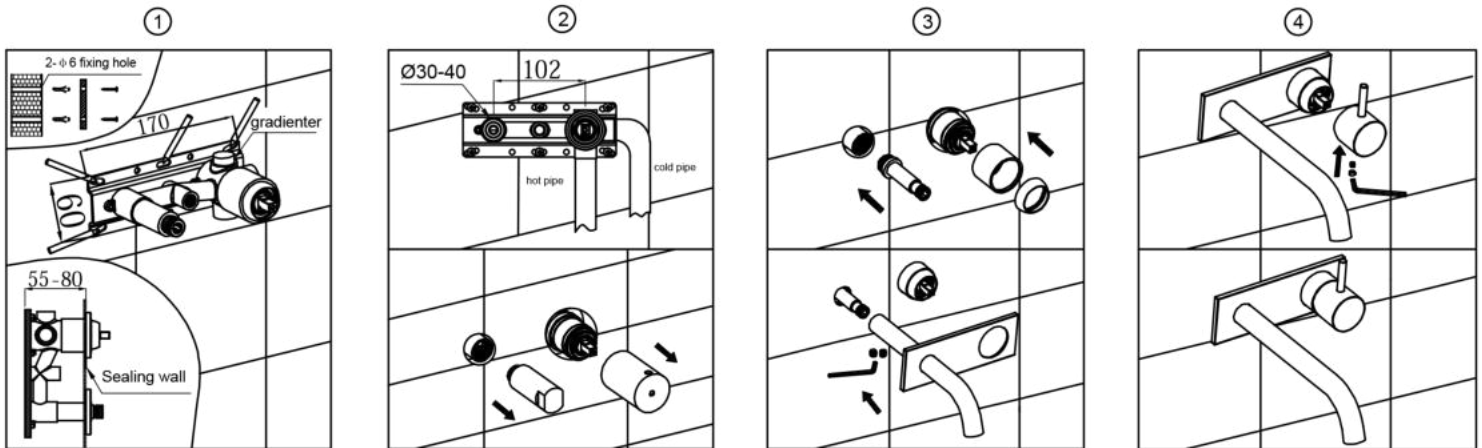


Installation step two

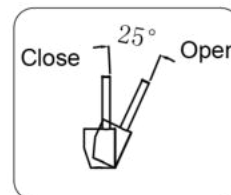
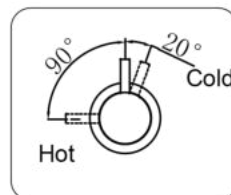


1. Fix the embedded box horizontally to the wall according to the drawing, Slot size of Embedder box Min: 190\*75mm, Depth is 55-80mm, The best is 65-70mm

2. Pay attention to the connection direction on Hot/ cold water inlet, Please test the water at first before sealing the wall. Then remove the cover.

3. Install the parts as drawing, Then install the spout with screw well.

4. Install the handle well with screw, That is done.



picture 1

spout working picture

**Maintenance**

(1) To keep the surface of the faucet bright and clean, please clean the faucet regularly

1. Clean with water frequently with Soft cotton cloth, colorless glass cleaner, do not have grind action.
2. Do not use acidic detergents, which can erode surface coatings.
3. Do not use cleaning powder or polishing powder containing coarse particles of detergent or nylon brush, in order to avoid wearing out products.
4. Under normal water pressure, When the water yield is reduced, Please clean the inlet and outlet water with a small brush after soaking with vinegar as shown.