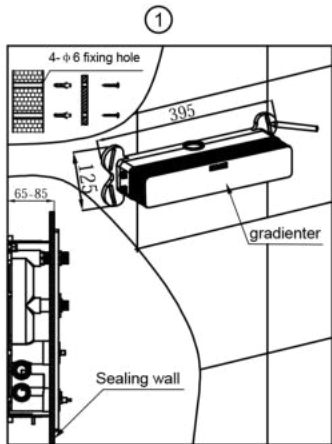
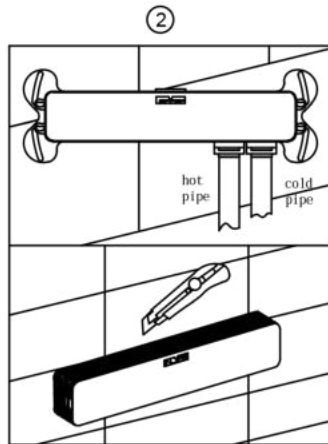


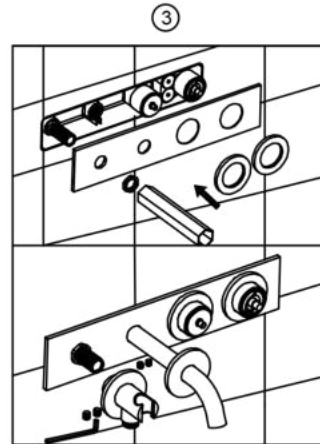
Installation step two



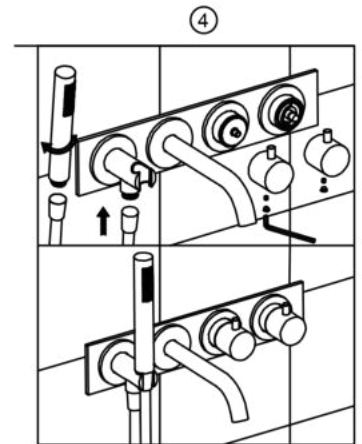
1. Fix the embedded box horizontally to the wall according to the drawing, Slot size of Embedder box Min:400\*130mm, Depth is 65-85mm, The best is 72-77mm.



2. Pay attention to the connection direction on Hot/cold water inlet, Please test the water at first before sealing the wall. Then cut the embedded box.



3. According to the drawing, first fix the panel with nuts on the wall and install 4 panels per the size, And then install the shower socket and spout with screw to complete.



4. According to the drawing, Install the thermostatic handle and diverter handle, then connect well with hose.

### Maintenance

(1) To keep the surface of the faucet bright and clean, please clean the faucet regularly

1. Clean with water frequently with Soft cotton cloth, colorless glass cleaner, do not have grind action.
2. Do not use acidic detergents, which can erode surface coatings.
3. Do not use cleaning powder or polishing powder containing coarse particles of detergent or nylon brush, in order to avoid wearing out products.
4. Under normal water pressure, When the water yield is reduced, Please clean the inlet and outlet water with a small brush after soaking with vinegar as shown.



picture 1

spout working picture