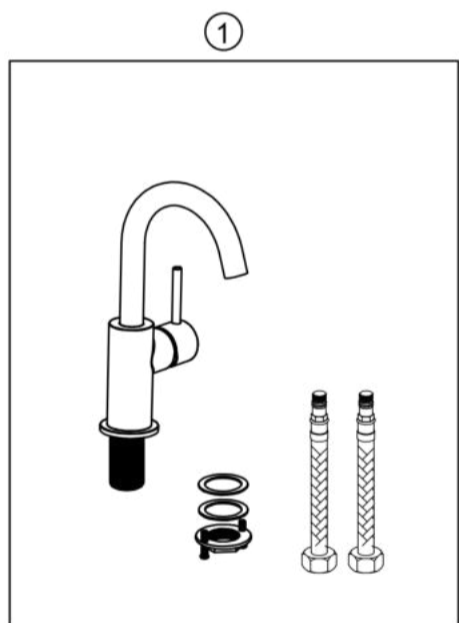
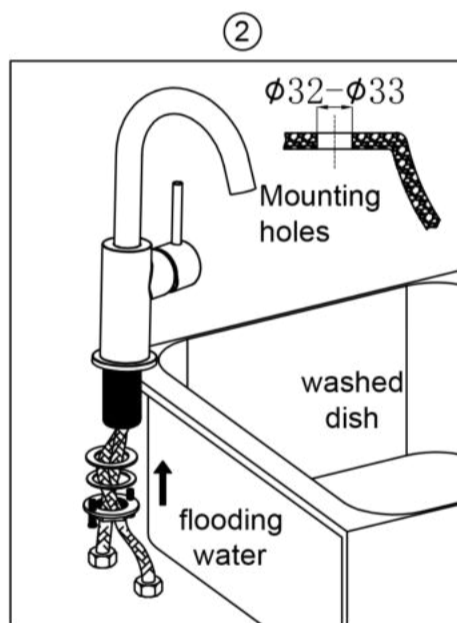


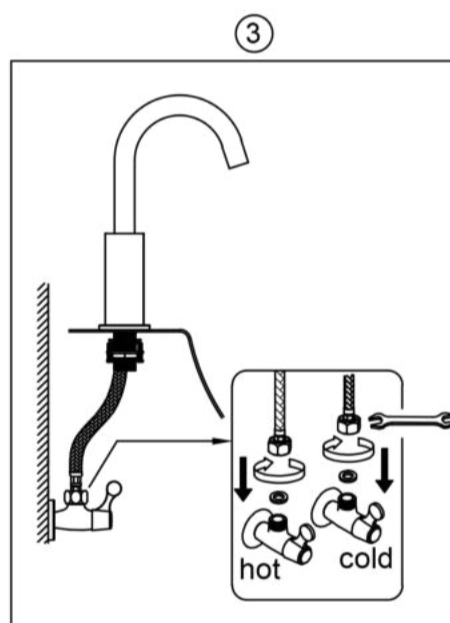
Installation Steps



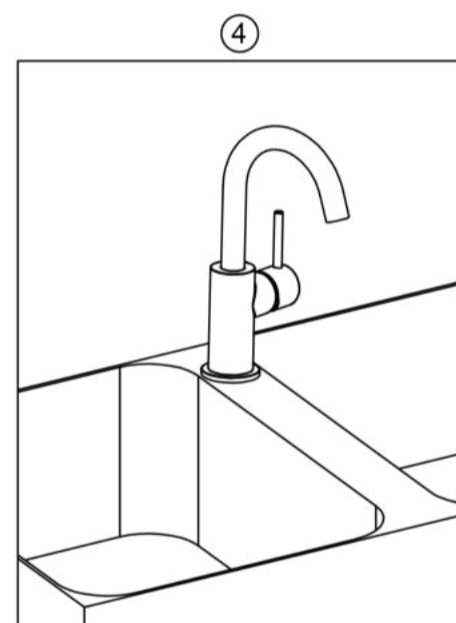
1. Remove the fixing nut both at the pull tube and the tooth tube as drawing. Be careful not to lose the accessories.



2. Connect the faucet to the dish plate, insert the hose through the nut hole and secure with the nut.



3.1 Connect the two inlet hoses on the main body of the faucet to the Angle valve. Follow the red and blue dots on the handle of the faucet to connect the hot and cold water separately.
3.2 Angle valve for customer's own choice.

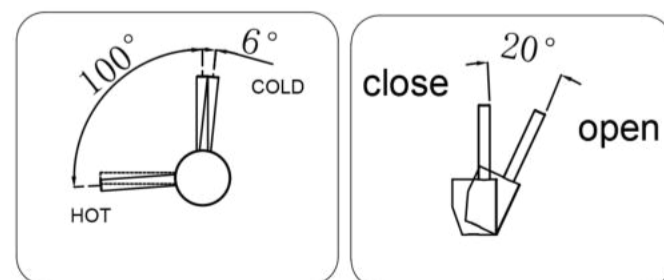


4. After installation, swing the outlet pipe from side to side and test whether each connection is leaking or not.

Maintenance

(1) To keep the surface of the faucet bright and clean, please clean the faucet regularly

1. Clean with water frequently with Soft cotton cloth, colorless glass cleaner, do not have grind action.
2. Do not use acidic detergents, which can erode surface coatings
3. Do not use cleaning powder or polishing powder containing coarse particles of detergent or nylon brush, in order to avoid wearing out products.
4. Under normal water pressure, When the water yield is reduced, please remove the pump nozzle and clean it.



spout working picture

