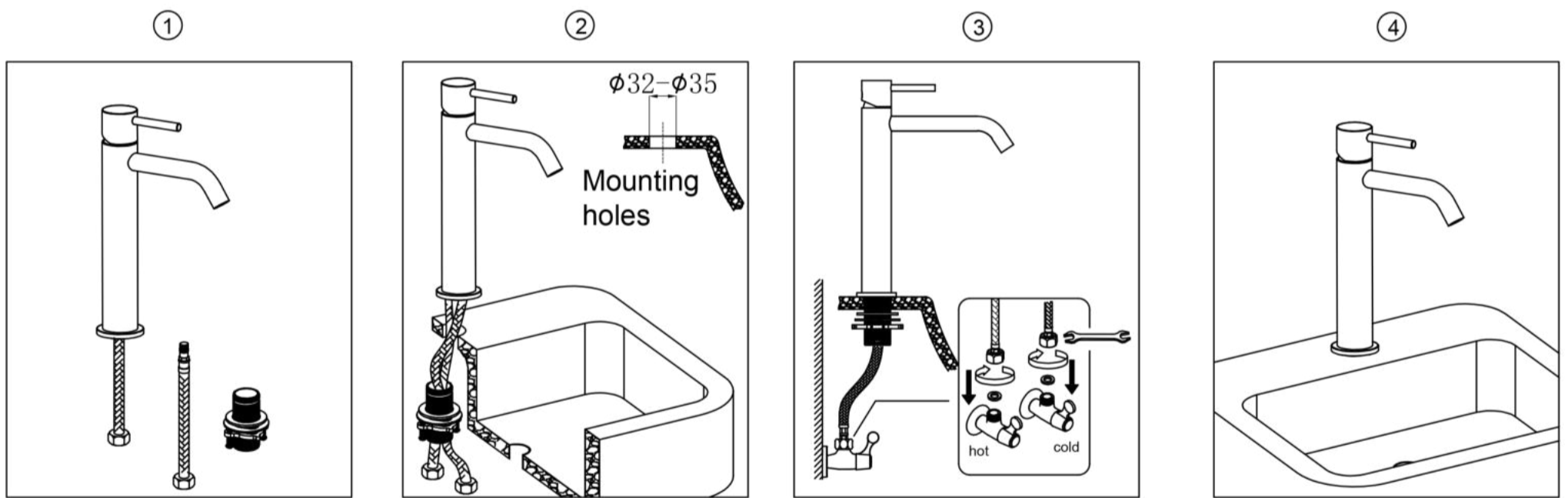


Installation Steps



1. According to above drawing, Before the hose is installed, Distinguish left red (hot water) and right blue (cold water), installed one of inlet pipe.

2. Connect the water nozzle to the basin according to the drawing, complete the fixing set, and put the second inlet pipe into the main body

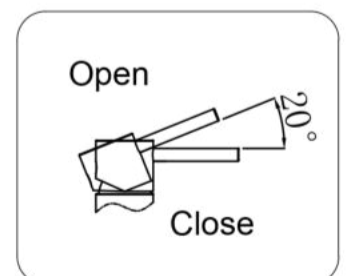
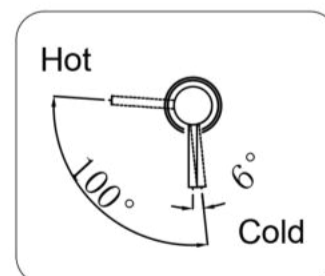
3. Connect the two inlet hoses to the Angle valve, Which from the main body of the faucet. According to the "red", "blue" indicated on the faucet handle, And connect the hot and cold water separately.

4. After installation, swing the outlet pipe from side to side and test whether each connection is leaking or not.

Maintenance

(1) To keep the surface of the faucet bright and clean, please clean the faucet regularly.

1. Clean with water frequently with Soft cotton cloth, colorless glass cleaner, do not have grind action.
2. Do not use acidic detergents, which can erode surface coatings.
3. Do not use cleaning powder or polishing powder containing coarse particles of detergent or nylon brush, in order to avoid wearing out products.
4. Under normal water pressure, When the water yield is reduced, Please clean the inlet and outlet water with a small brush after soaking with vinegar as shown.



spout working picture

