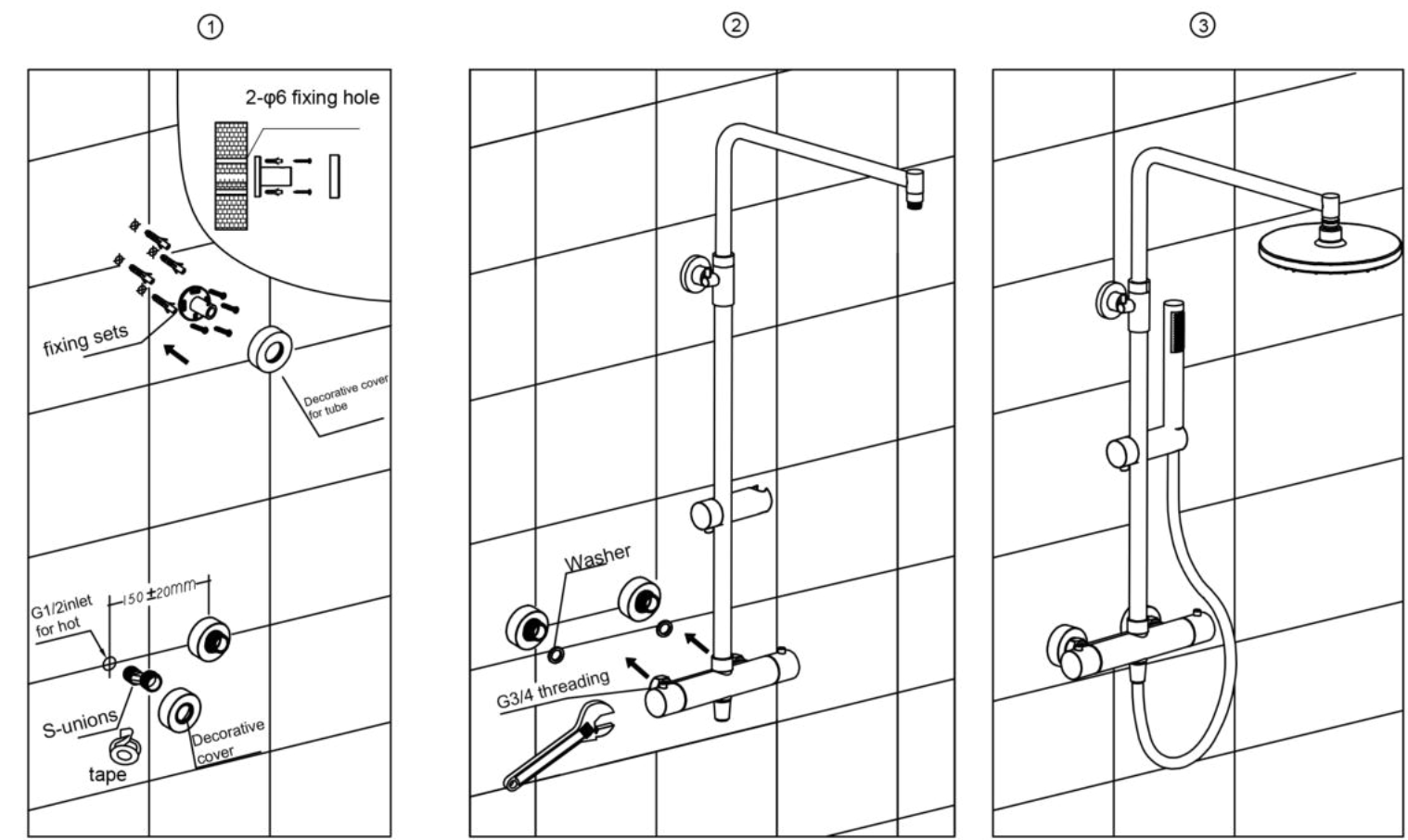


Installation
Steps



1.1 Ensure the cold/hot hose location. Wrap the curved leg with Teflon tape, install it in the inlet pipe, and then screw down the decorative cover.

1.2 The hole spacing is fixed by the tube. The dimension drawing is fixed to the decorative cover of the tube. (note that both the top and bottom should be kept perpendicular to the wall, horizontal)

2. First fix the main body and the pipe body with hexagonal keys, then put the washer into the nut, tighten the nut with a wrench, and finally fix the seat and the pipe body with hexagonal keys.

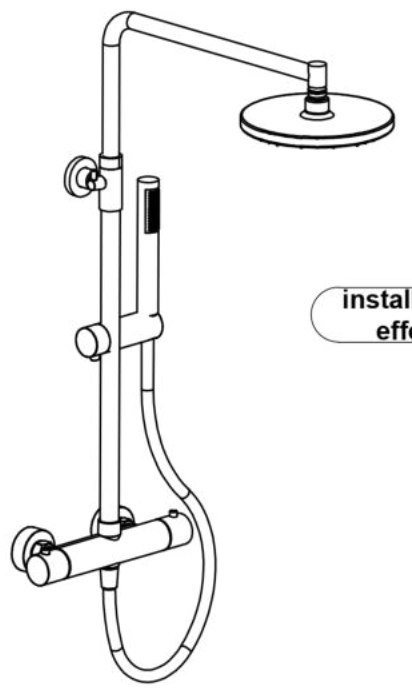
3. Fixed well the headshower on holder and handshower on body

Testing

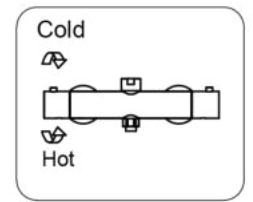
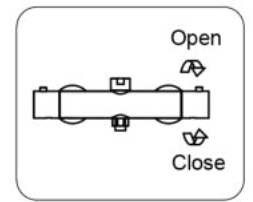
1. Close the faucet and open the inlet valve to check for leakage or not at all joints;
2. Open the faucet, open the inlet valve, and change diverter to check for leakage or not;
3. When using, do not pull the hose vigorously to avoid hose rupture.

Maintenance

- (1) Protective tap surface
1. Clean with water frequently with Soft cotton cloth, colorless glass cleaner, do not have grind action.
 2. Do not use acidic detergents, which can erode surface coatings.
 3. Do not use cleaning powder or polishing powder containing coarse particles of detergent or nylon brush, in order to avoid wearing out products.
- (2) Clean faucet regularly
1. Under normal water pressure, When the water yield is reduced, Please clean the inlet and outlet water with a small brush after soaking with vinegar as shown.



installation
effect



spout working picture

