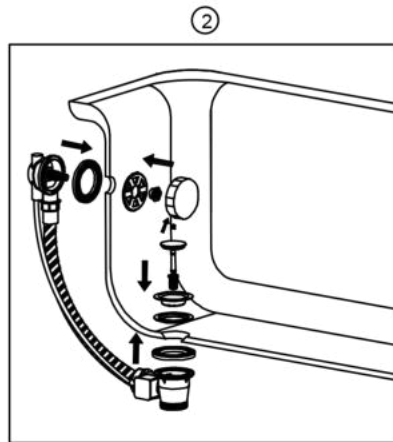
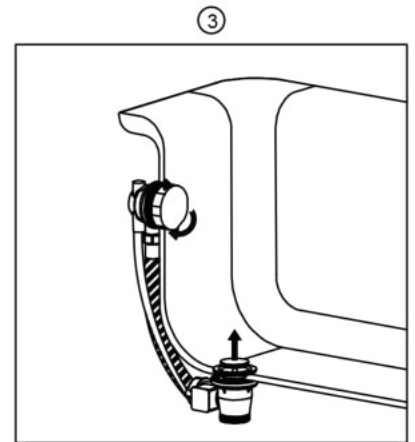


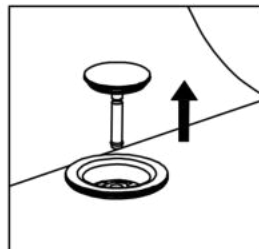
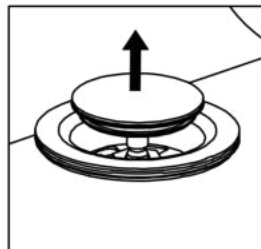
1. Remove the parts on the push up waste as shown in the drawing.



2. Install one end of the push up waste on the side wall of the bathtub and the other end of the waste on the bottom of the bathtub as shown in the picture.



3. Turn the handle of the inlet side clockwise to make the seal of the drain side spring up to drain water.



If you need to clean the waste, please pop the cap out and pull it out. After cleaning, put the cap back in.

Maintenance

(1) To keep the surface to bright and clean, please clean regularly.

1. Clean with water frequently with Soft cotton cloth, colorless glass cleaner, do not have grind action.
2. Do not use acidic detergents, which can erode surface coatings.
3. Do not use cleaning powder or polishing powder containing coarse particles of detergent or nylon brush, in order to avoid wearing out products.