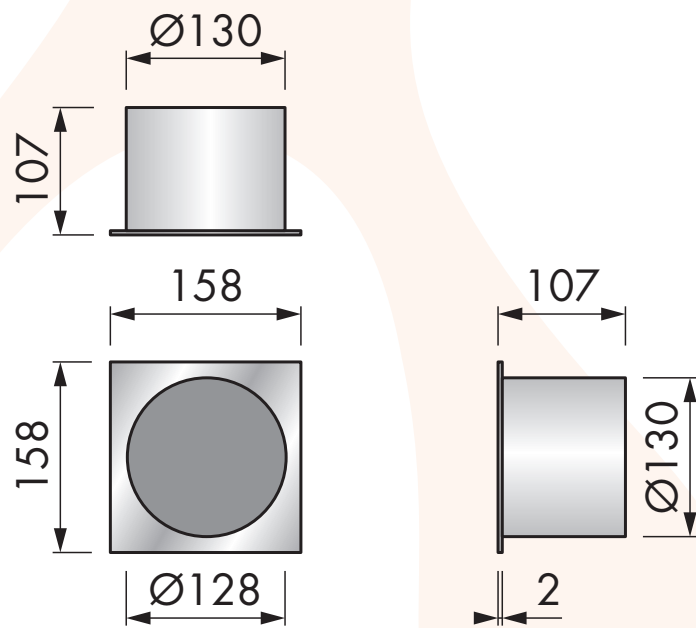


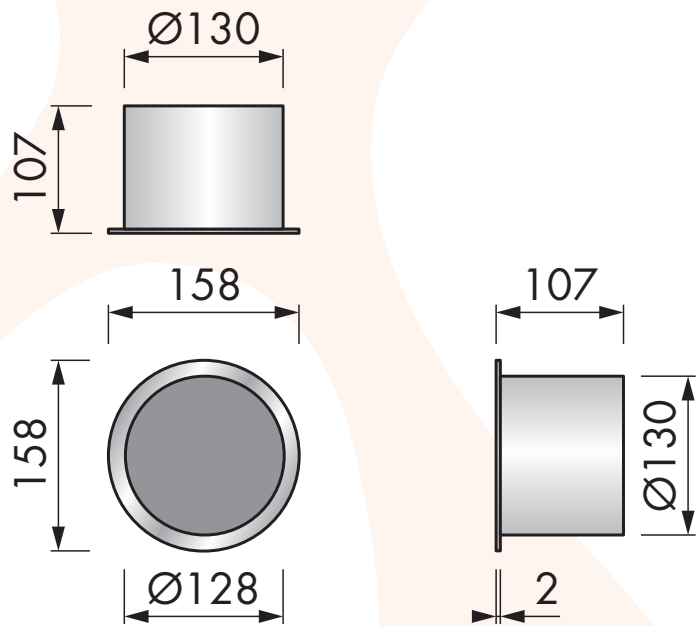
All content on this drawing is protected by intellectual property laws and the sole property of Looox B.V.

Closed CL1



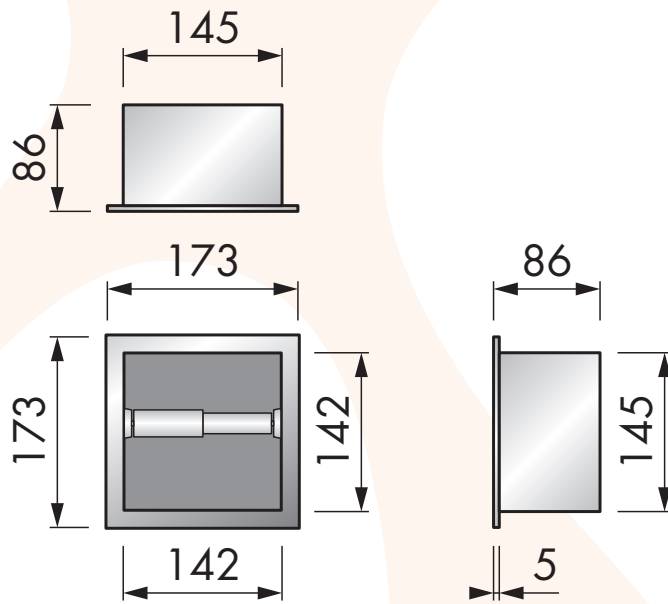
All content on this drawing is protected by intellectual property laws and the sole property of Looox B.V.

Closed CL2



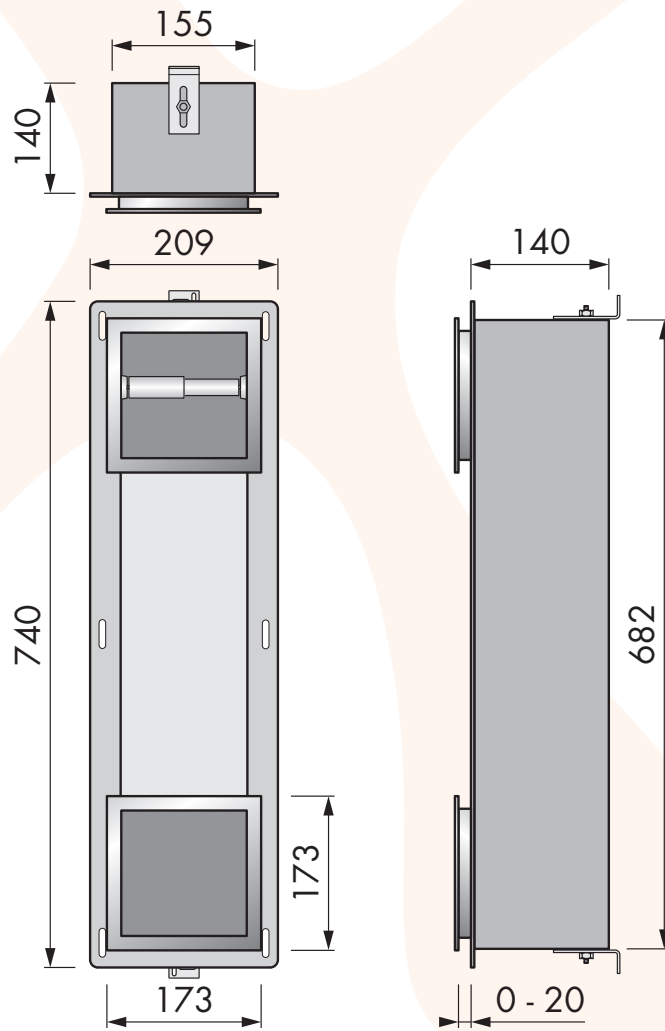
All content on this drawing is protected by intellectual property laws and the sole property of Looox B.V.

Closed CL3



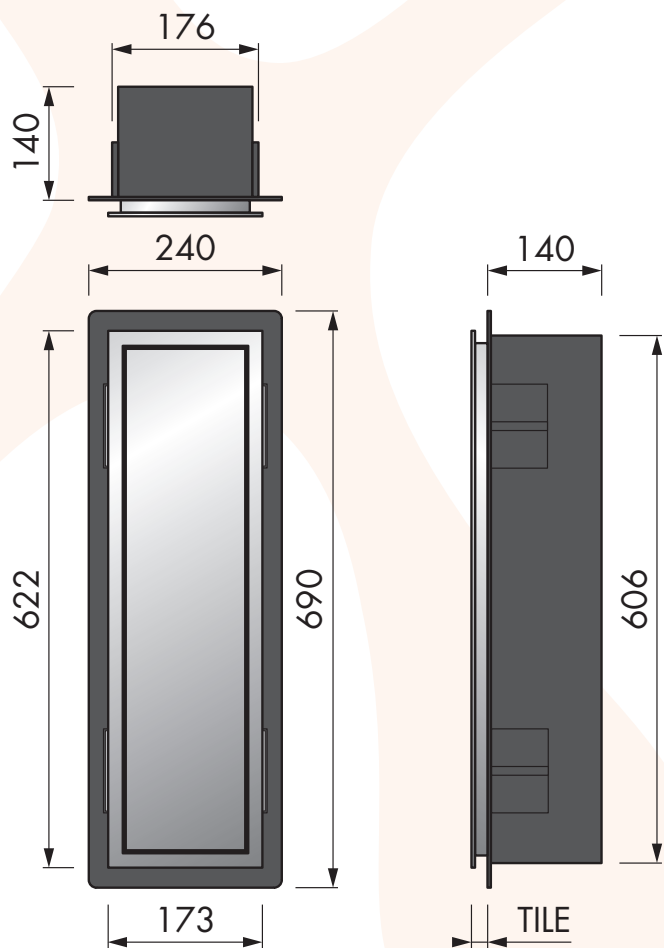
All content on this drawing is protected by intellectual property laws and the sole property of Looox B.V.

Closed CL4



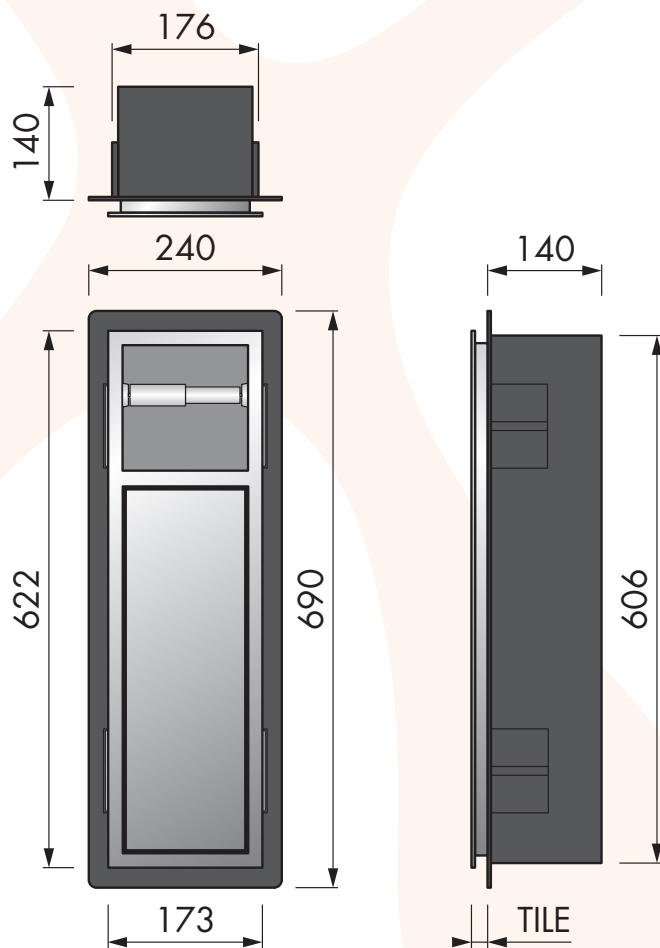
All content on this drawing is protected by intellectual property laws and the sole property of Looox B.V.

Closed CL5



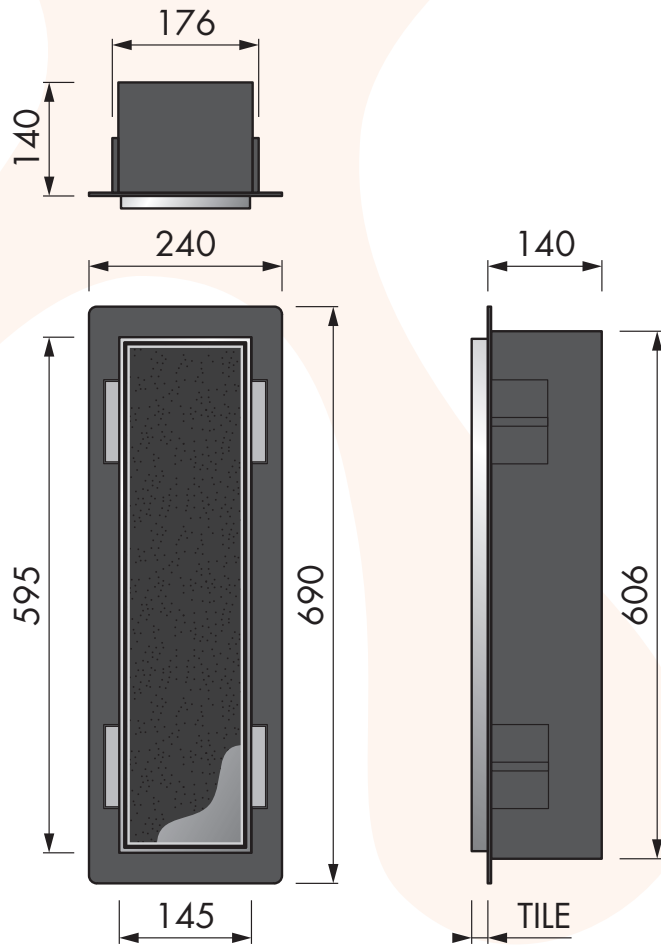
All content on this drawing is protected by intellectual property laws and the sole property of Looox B.V.

Closed CL6



All content on this drawing is protected by intellectual property laws and the sole property of Looox B.V.

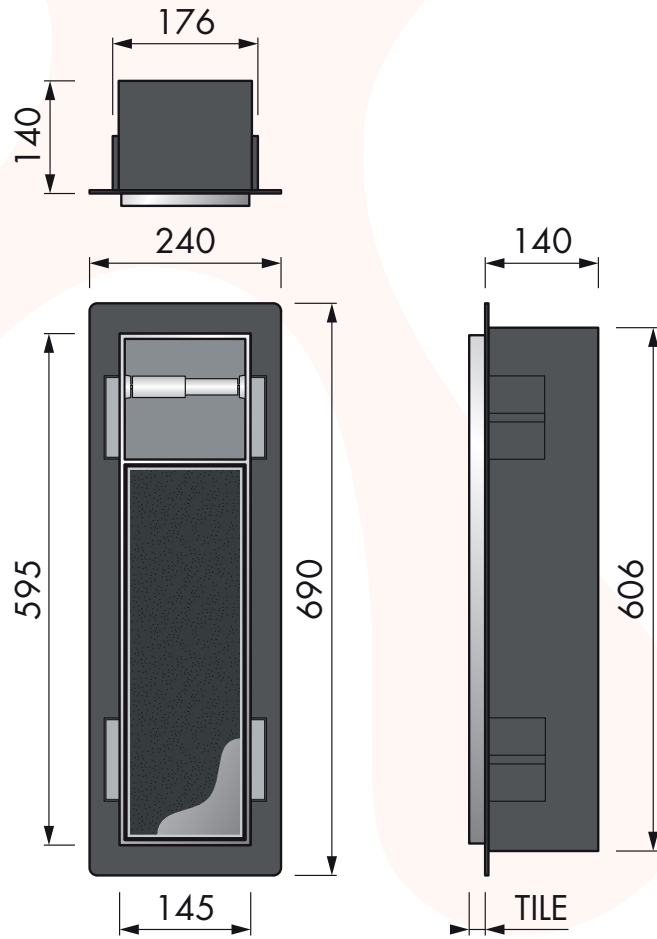
Closed CL7



All content on this drawing is protected by intellectual property laws and the sole property of Looox B.V.

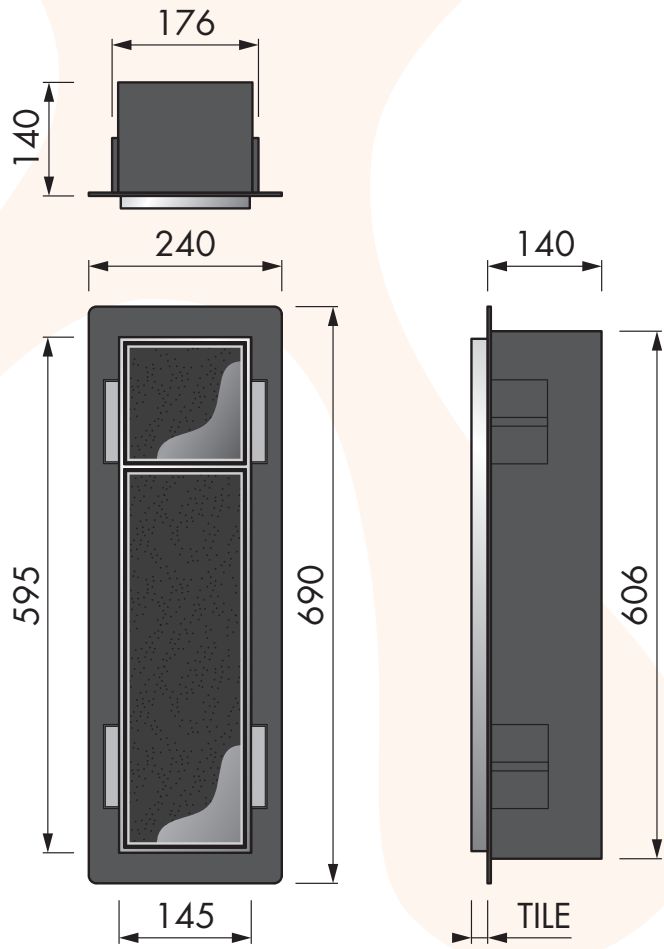
Closed CL8





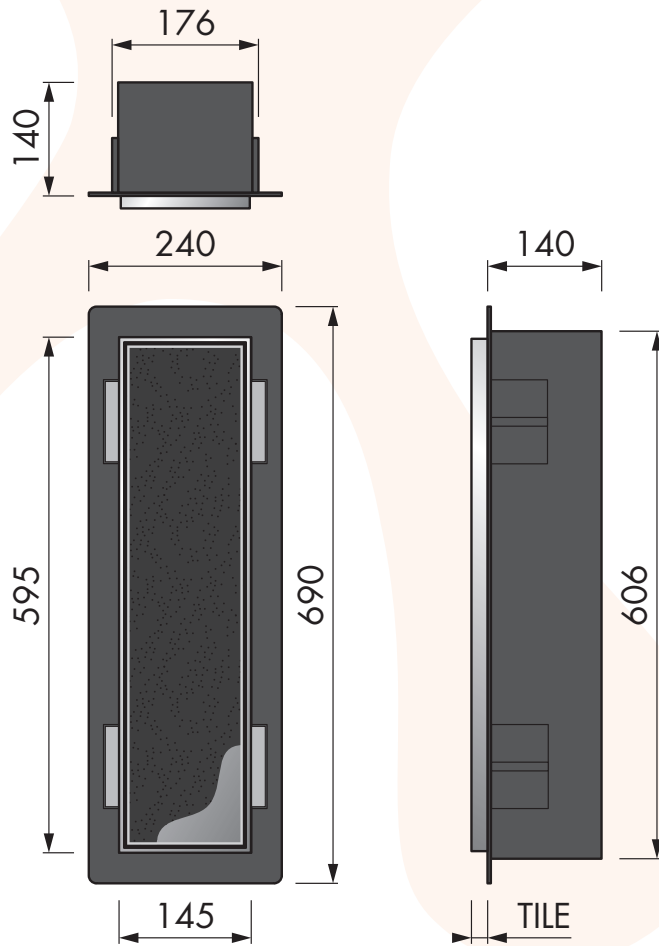
All content on this drawing is protected by intellectual property laws and the sole property of Looox B.V.

Closed CL9



All content on this drawing is protected by intellectual property laws and the sole property of Looox B.V.

Closed CL10



All content on this drawing is protected by intellectual property laws and the sole property of Looox B.V.

Closed CL11